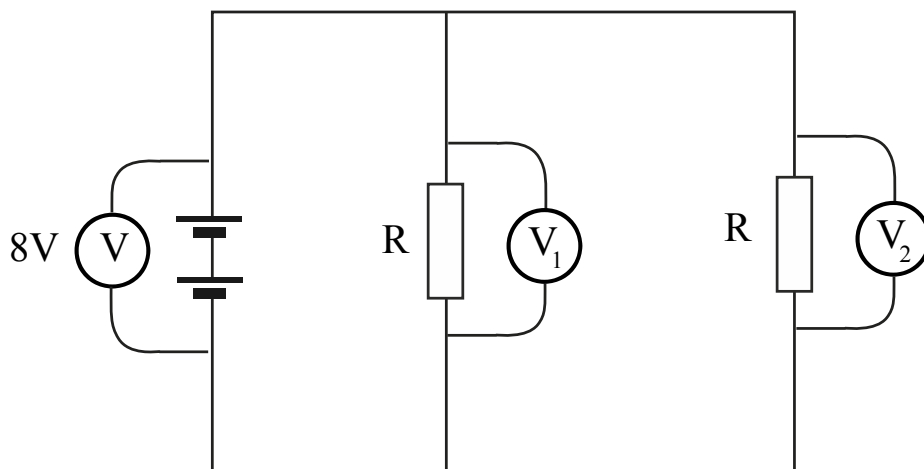


Identical resistors

The two resistors in this circuit are identical.

The voltmeter connected across the battery reads 8V.



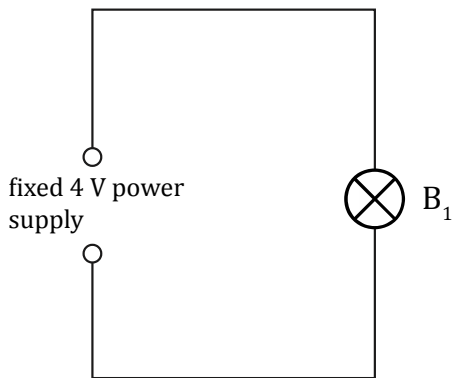
a) What is the reading on voltmeter V_1 ? _____ volt

b) What is the reading on voltmeter V_2 ? _____ volt

Power supply

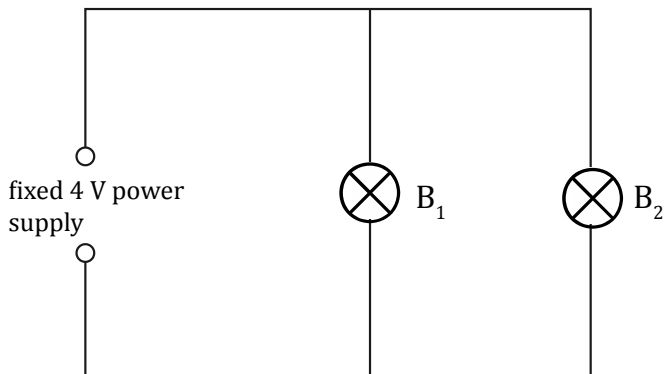
The power supply in this circuit has a fixed output voltage of 4 V.

a) A bulb B_1 is connected to the power supply.



What is the voltage across bulb B_1 ? _____ volt

b) A second identical bulb B_2 is then connected, to make this circuit.



What is the voltage now across bulb B_1 ? _____ volt

What is the voltage across bulb B_2 ? _____ volt