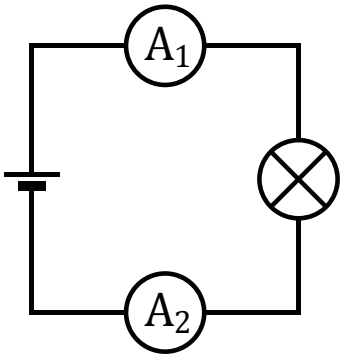


Predict, then measure

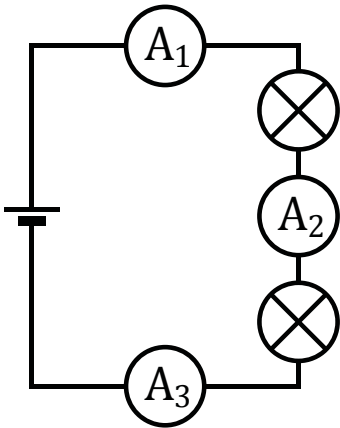


Circuit A

Measure Current 1 = _____ A

Predict Current 2 = _____ A

Measure Current 2 = _____ A



Circuit B

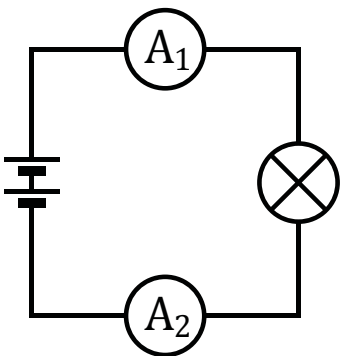
Measure Current 1 = _____ A

Predict Current 2 = _____ A

Predict Current 3 = _____ A

Measure Current 2 = _____ A

Measure Current 3 = _____ A



Circuit C

Measure Current 1 = _____ A

Predict Current 2 = _____ A

Measure Current 2 = _____ A