

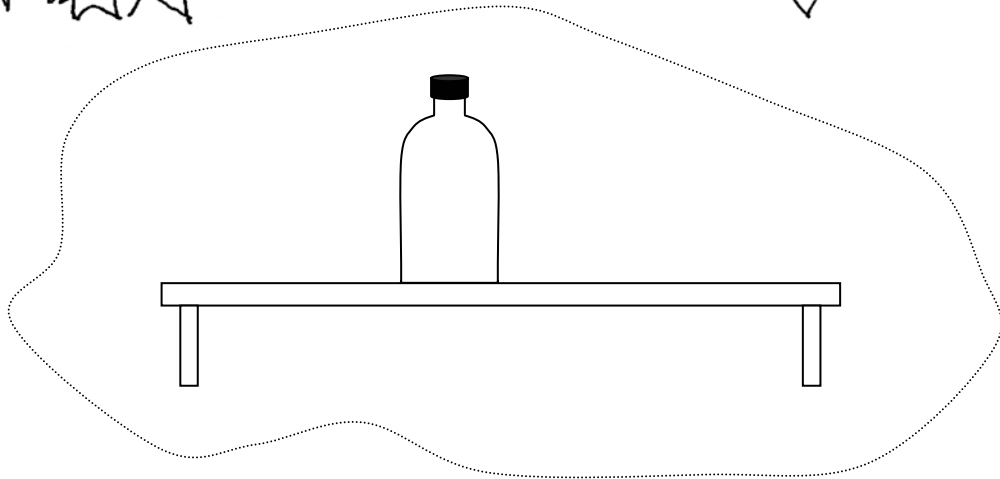
Bottle on a shelf

A bottle is sitting on a shelf. What forces are acting on the bottle?

The bottle is not moving. There are no forces on it.



The only force on the bottle is the force of gravity pulling it downwards.



There are two forces on the bottle – the force of gravity and the push of the shelf upwards, which balances it.



A shelf cannot push. It is just in the way of the bottle and stops it falling.



Bottle on a shelf

What do you think?

Tick a box in each row to show if you agree or disagree with each of the pupils:

		Agree	Disagree	Not sure
Asha	The bottle is not moving. There are no forces on it.			
Ben	The only force on the bottle is the force of gravity pulling it downwards.			
Colin	There are two forces on the bottle – the force of gravity and the push of the shelf upwards, which balances it.			
Diana	A shelf cannot push. It is just in the way of the bottle and stops it falling.			

Please explain your answer in the space below:

.....

.....

.....

.....