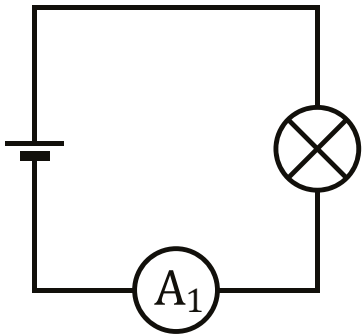


Adding bulbs to the circuit

First of all, make a circuit with a single bulb. Add bulbs and record the ammeter readings. Discuss your findings with your partner. Try to come up with an explanation for what you have found out.

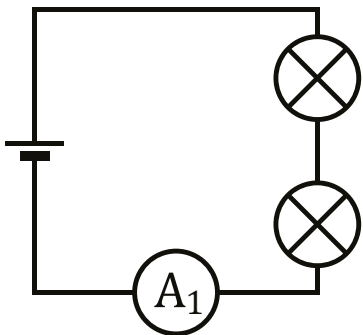
First of all, make a circuit with a single bulb.



Circuit A

Measure current 1 = _____ A
Bulb brightness = _____

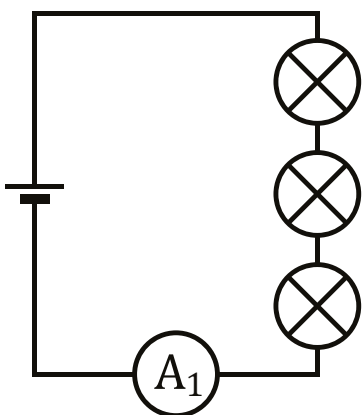
Now add a second bulb.



Circuit B

Measure current 1 = _____ A
Bulb brightness = _____

Now add a third bulb.



Circuit C

Measure current 1 = _____ A
Bulb brightness = _____

IOP Institute of Physics

Adding bulbs to the circuit

This document is a part of Supporting Physics Teaching, from the E1 topic, episode number 02, and the TA thread.

A gentle reminder that it for private and institutional use only.

The location



<http://supportingphysics.net/>